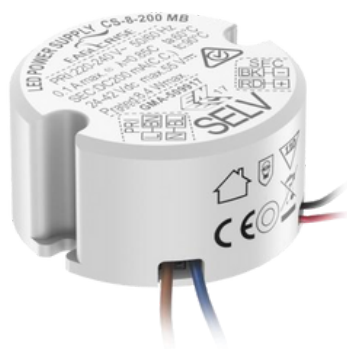


## 8W Constant Current -CS Series



### Features

Class II, SELV, Built-in  
 Input Voltage: 220-240VAC  
 Protections: SCP/OLP/OVP  
 Power Factor : 0.8C@120mA ,  
 150mA, 180mA, 250mA, 300mA;  
 0.85C@200mA Efficiency: 78%  
 5 years warranty

### Applications

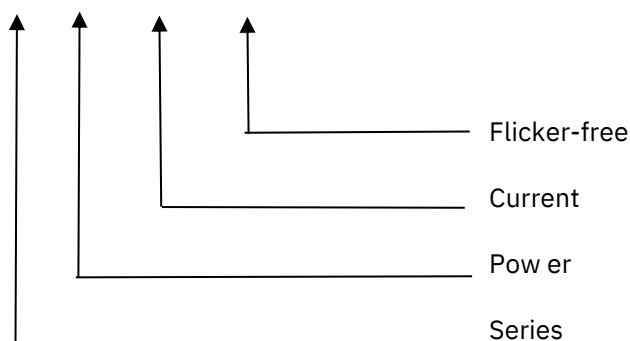
LED down light、LED spot light、LED ceiling light

## Description

CS-8-XXX MB is a 8W constant current LED driver with 120mA to 700mA output current. With it's compact dimensions from  $\Phi 42 \times 22$ mm it is easy to integrate in LED down light、LED spot light、LED ceiling light products. To ensure trouble-free operation, protection is provided against output short circuit and over Load.

## Model code

CS-8-XXX MB



## Specification

Output	Constant Current	120mA	150mA	180mA	...	700mA
	Voltage Range	24-42VDC			...	7-
	Unload voltage Max.	55VDC			...	12VDC
	Current Accuracy	±5%			20VDC	
	Output HF current ripple(≥1KHz)	±3%				
	Output LF current ripple(≤120Hz)	±3%				
	SVM	≤0.4				
	Pst	≤1				
	Efficiency(Typ.)	≥81%				...
Input	Rated input voltage	220-240VAC				
	Range of input voltage	198- 264 VAC				
	Frequency(Hz)	50/60 Hz				
	Displacement factor	≥0.9				
	Power Factor	0.8C@120mA,150mA,180mA,250mA,300mA 0.85C@200mA, ≥350mA				
	Input Current max	0.1A				
	Start-up time	<0. 5S				
	No Load Power	≤0.5W				
Protection	Over Load Protection	103-120% YES/Auto Resume				
	Over Voltage Protection	>55VDC	>55VDC	>55VDC	...	>20VDC
	Short circuit Protection	YES/AutoResume				
Environment	Operating Temperature	-20°C~+60°C				
	Humidity	20%-90%RH				
	Tc	90°C				
	Storage Temperature	-20°C~+60°C				
	Lifetime	>50000h@Tc=75°C,230VAC				
Surface	Dimension	Φ42X22(DXH)mm				
s standards	EN61347-1; EN61347-2-13;EN62384; EN55015;EN61000-3-2 ;EN61000-3-3; EN61547;					
Others	ErP	EU2019/2020				
	RoHS	RoHS(2011/65/EU)(EU)2015/863				
Note	<p>1.All parameters NOT specially mentioned are measured at 230VAC input , full load and 25°C of ambient temperature.</p> <p>2.Ripple &amp; Noise are measured at 20MHz of bandwidth by using a 300mm twisted pair-wire terminated with a 0.1uF &amp; 47 uF parallel capacitor.</p>					

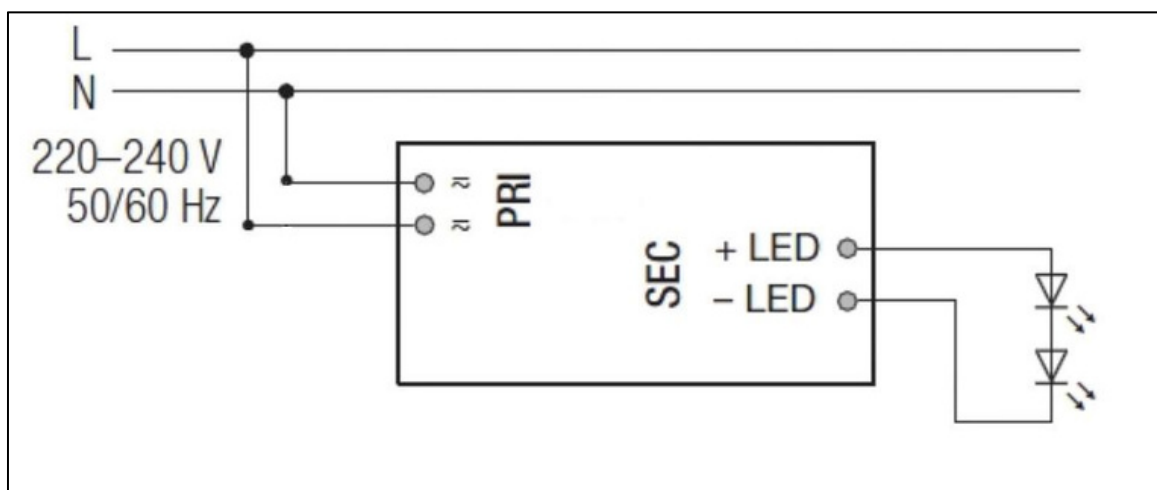
NO.	Model number	Input			Output			Max.Prated(W)
		Voltage (VAC)	Current (A)	Frequency (Hz)	Constant current (mA)	Normal working voltage (VDC)	No load working voltage (VDC)	
1	CS-8-120 MB	220-240	0.1	50/60	120	24-42	55	5
2	CS-8-150 MB				150	24-42	55	6.3
3	CS-8-180 MB				180	24-42	55	7.6
4	CS-8-200 MB				200	24-42	55	8.4
5	CS-8-250 MB				250	16-26	35	6.5
6	CS-8-300 MB				300	16-26	35	7.8
7	CS-8-350 MB				350	14-24	35	8.4
8	CS-8-400 MB				400	13-20	30	8
9	CS-8-450 MB				450	12-18	28	8.1
10	CS-8-500 MB				500	10-16	25	8
11	CS-8-700 MB				700	7-12	20	8.4

\* Factory default

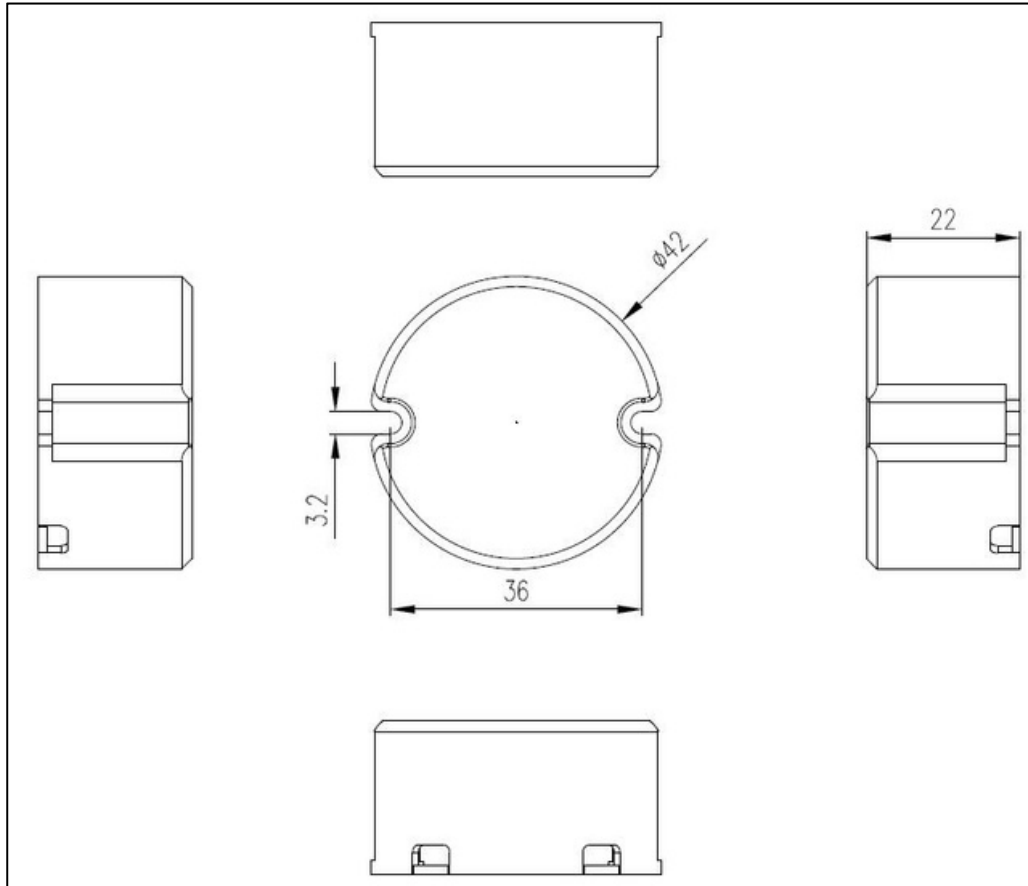
## Circuit Breaker

Ipeak	Tw idth	B10	B16	B20	C10	C16	C20
10A	300μs	32pcs	26pcs	42pcs	44pcs	71pcs	88pcs

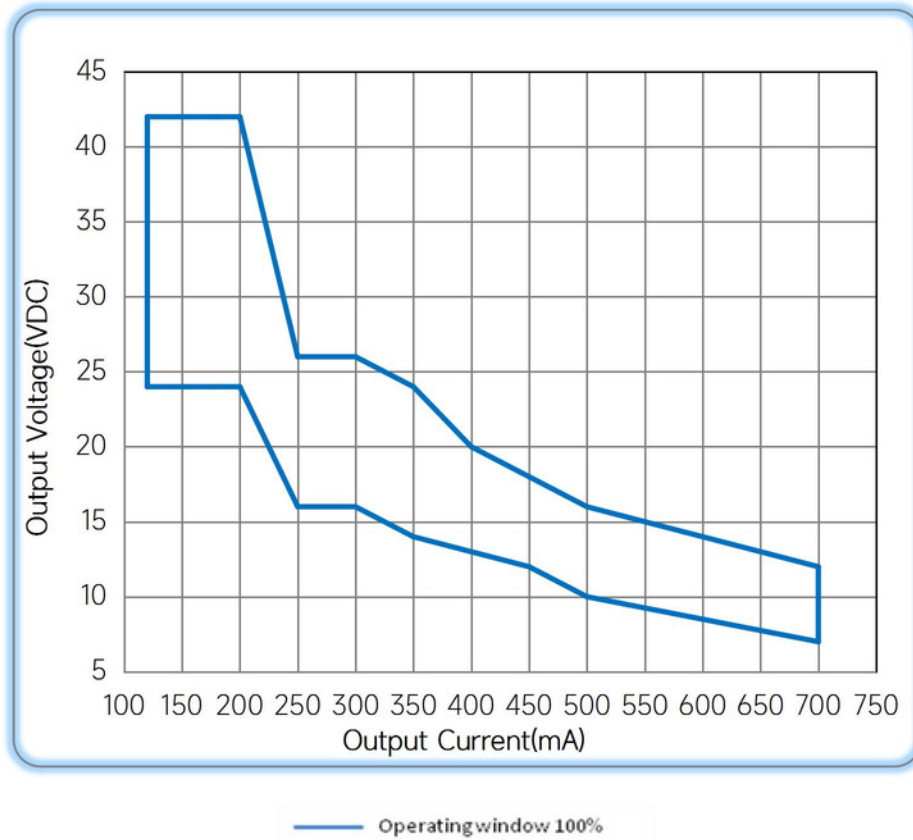
## Wiring diagram



2D diagram



### Operating window



### Revision Updates

ITEM	BEFORE	AFTER	VERSION	DATE
Initial			A	2022/05/15